

Quick Start Guide

WVE6515SDA, WVE6515DDA oven series

Dear Customer,

Thank you for purchasing a Westinghouse oven. You have chosen a product that comes from a history of durable and reliable products loved by many families. We look to help you make the most of your time at home, so you can spend your time doing what you really love, with the ones you love.

Welcome to Westinghouse.

Ready



This is a Quick Start Guide. Please refer to user manual online for detailed information and installation

To access your detailed user manual online, simply scan the QR code on your smart phone.

For more detailed information and installation guide refer to user manuals at westinghouse.com.au/manuals

Before you start, please make sure:

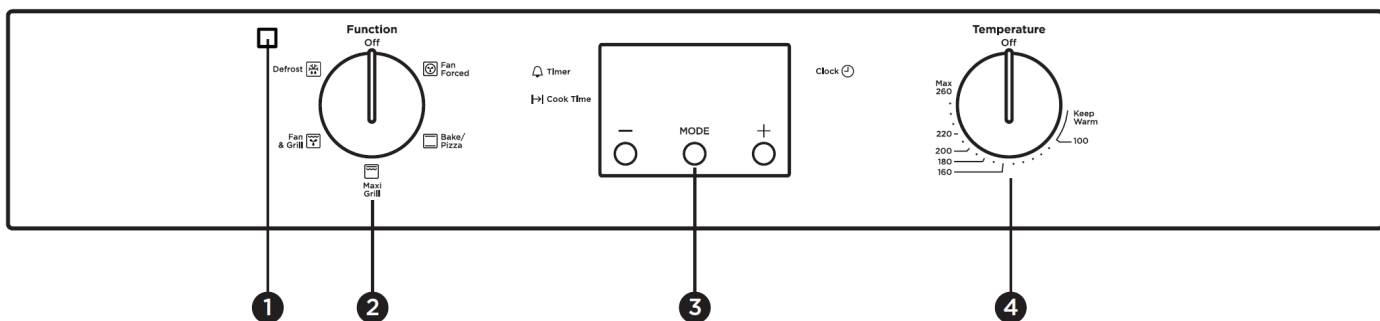
- Your oven has been correctly installed by a qualified person.
- Your oven has power and is switched on.
- You've removed all relevant packaging.



Most of the packaging materials can be recycled. Please dispose of them at your local recycling centre or in your own recycling bin.

Set...

Get to know your oven control panel:



- | | |
|------------------------------|------------------------|
| 1 Oven/grill indicator light | 3 Electronic Clock |
| 2 Function selector | 4 Temperature selector |

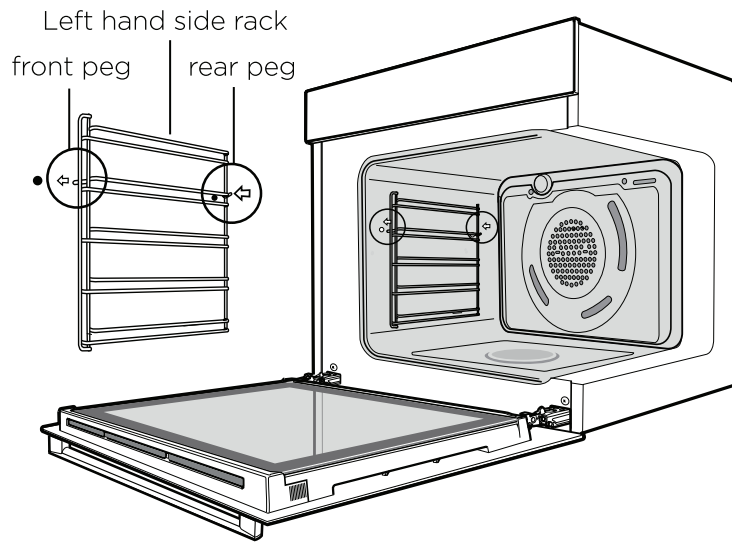
Set...

Installing the oven accessories

1. Insert side racks

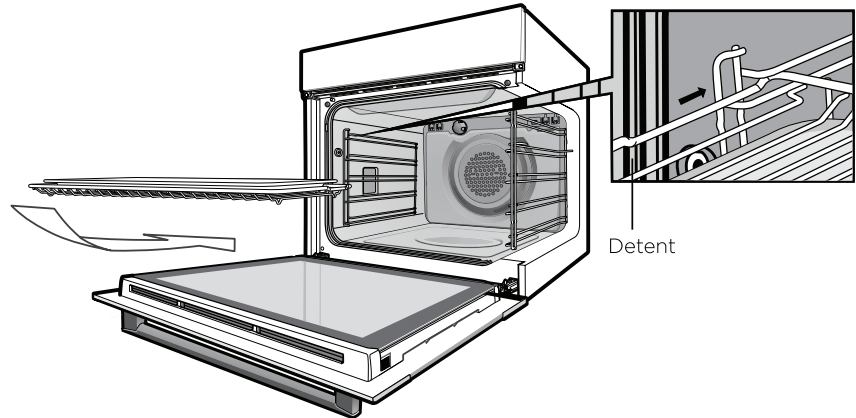
There is a left hand and right hand version (see image).

1. Insert the rear peg into the rear access hole provided, ensuring that the peg is fully inserted.
2. Then locate the front peg into the front access hole and push in firmly.



2. To fit a shelf or tray to side racks:

1. Locate the rear edge of the shelf/tray in between 2 guide rails of the side rack - see diagram.
2. Align the shelf to the same rail positions on both sides, with the front edge raised, begin to slide the shelf into the oven.
3. When fully inserted the shelf/tray should not interfere with the closed oven door.



Set the time

You must set the time before you can operate your appliance.

1. After the appliance has been electrically connected, clock icon will flash.
2. Press + or - symbols/buttons to set the time of day.

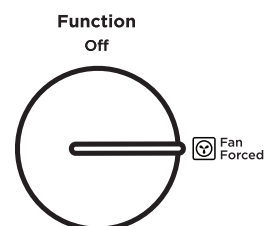
NOTE: The clock has a 24 hour display.



Condition the oven (to burn off any residue)

New appliances can have oil or residue left from manufacturing. You will need to heat your oven for 30 minutes before using it for the first time.

1. Turn the function selector dial to FAN FORCED
2. Using the temperature selector, set the oven at 180°C for approximately 30 minutes. Please ensure that the room is well ventilated during this process.



Go!

You're ready to use your new Westinghouse appliance. A few tips from us:

Remember to pre-heat each time.

For best cooking results pre-heat the oven. Pre-heating allows the oven to reach the required temperature quickly and efficiently as well as cook food at the correct temperature for the entire cook time. Recommended pre-heat time is 30 mins for baking and 3 minutes for grilling.

Choose the right program for the best result:

**FAN
FORCED**



This setting is best used when cooking on multiple shelves at once or reheating complete meals for your family.

**FAN &
GRILL**



When cooking large cuts of meat, this setting gives you result that is similar to 'roisserie' cooked meat. When using 'Fan Grill' it is not necessary to turn food over during the cooking cycle. Set temperature to 180°C and cook with the oven door closed.

GRILL



When it comes to cooking tender cuts of meat, steak, chops, sausages, fish, cheese toasties and other quick cooking foods the grill setting will get you the best results. By preheating your grill for 3 minutes this will help in sealing in the natural juices for a better flavour. Grill with the oven door closed.

DEFROST



Ideal for defrosting food before cooking, raising yeast dough, drying fruits and vegetables.

Refer to your full user manual for more details on oven functions.

Set your temperature

- To set the temperature, turn the temperature selector in a clockwise direction to the desired setting.
- An indicator light in the display will turn on and oven will begin to heat.
- Once the food is cooked, turn the temperature selector back in anti-clockwise direction.

Note: The desired cooking function must be selected before the oven will turn on.

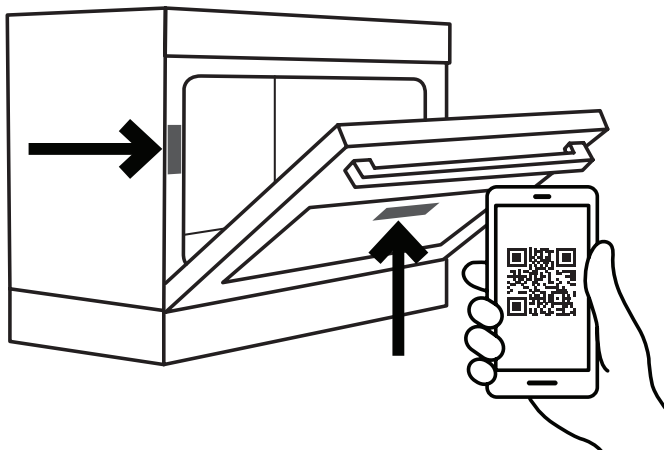
Quick Start Guide

WVE6515SDA, WVE6515DDA oven series

Enjoy peace of mind. Register your appliance today.

Stay updated on better living services, safety notices and shop for accessories.

- 1. Open the camera app on your smartphone and point at the QR code to scan**
Product Registration QR code is located on the front of your appliance or inside the door rim*.



- 2. Tap the notification or link to open the registration form**
- 3. Complete your details and enjoy peace of mind**

*Exact location of QR code may vary depending on oven model



Need more help?

To access your detailed user manual online, simply scan the QR code on your smart phone.



Customer Care Centre

Contact us if you need more help

Electrolux Home Products Australia

telephone: 13 13 49
email: customercare@electrolux.com.au
web: electrolux.com.au

Electrolux Home Products New Zealand

telephone: 0800 436 245
email: customercare@electrolux.co.nz
web: electrolux.co.nz