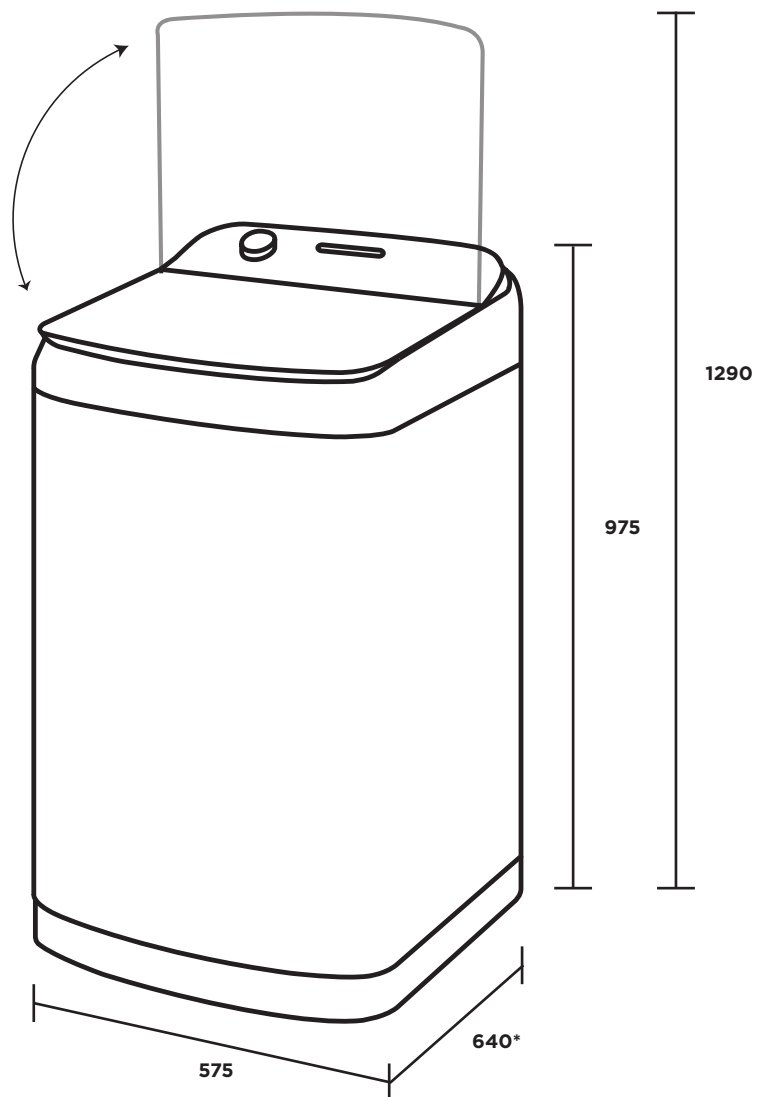


## Top Load Washers

WWT6084J5WA

WWT7084J5WA



\*Add 25mm for the hose protrusion at the back

### IMPORTANT

These dimensions are a guide only. All measurements are in millimetres (mm). For complete installation instructions, refer to the manual provided with product.

© 2022 Electrolux Home Products Pty Ltd. ABN 51 004 762 341. W\_DIM\_TLW\_575\_Jan22