

Quick Start Guide

WVE615, WVE616, WVE617 oven series

Dear Customer,

Thank you for purchasing a Westinghouse oven. You have chosen a product that comes from a history of durable and reliable products loved by many families. We look to help you make the most of your time at home, so you can spend your time doing what you really love, with the ones you love.

Welcome to Westinghouse.

Ready



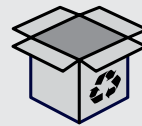
This is a Quick Start Guide. Please refer to user manual online for detailed information and installation

To access your detailed user manual online, simply scan the QR code on your smart phone.

For more detailed information and installation guide refer to user manuals at westinghouse.com.au/manuals

Before you start, please make sure:

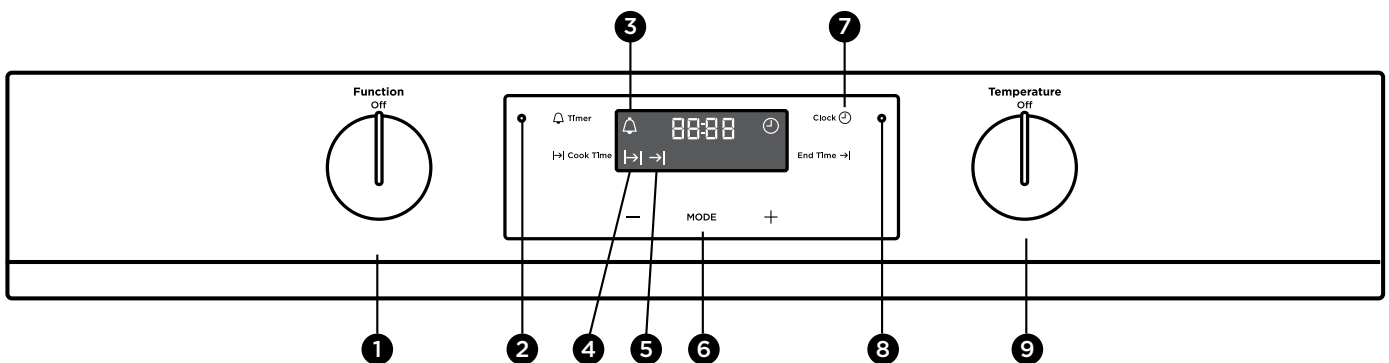
- Your oven has been correctly installed by a qualified person.
- Your oven has power and is switched on.
- You've removed all relevant packaging.



Most of the packaging materials can be recycled. Please dispose of them at your local recycling centre or in your own recycling bin.

Set...

Get to know your oven control panel:



- | | | |
|----------------------------|------------------------------|-----------------------------------|
| 1 Function selector | 5 End Time icon | 9 Oven/grill temperature selector |
| 2 Function indicator light | 6 Electronic Clock | |
| 3 On when timer is set | 7 Time of day icon | |
| 4 Cook time Icon | 8 Oven/grill indicator light | |

Set...

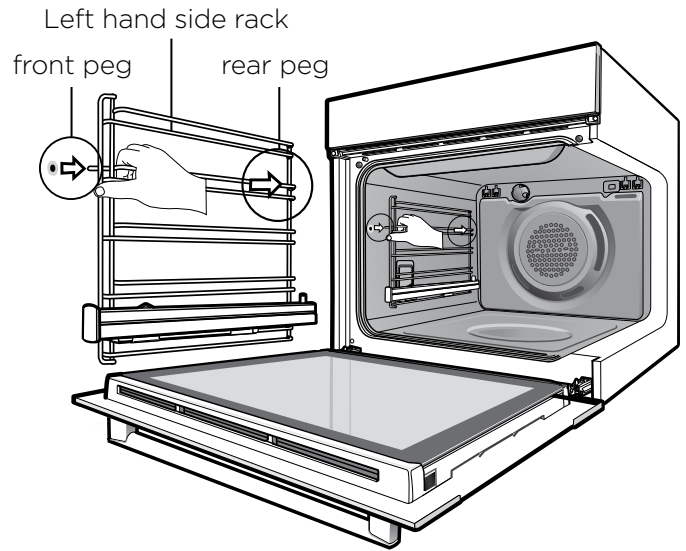
Installing the oven accessories

1. Install telescopic slides (where supplied) to the side racks. Refer to installation guide supplied with oven slides.

2. Insert side racks

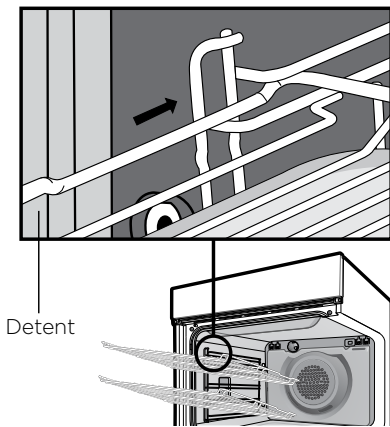
There is a left hand and right hand version (see image for details).

1. Insert the rear peg into the rear access hole provided, ensuring that the peg is fully inserted.
2. Then locate the front peg into the front access hole and push in firmly.



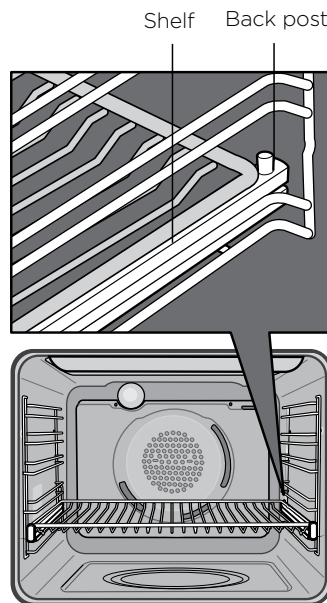
3. To fit a shelf or tray to side racks:

1. Locate the rear edge of the shelf in between guide rails of the side rack. Ensure the same rail positions on both sides of the oven are being engaged.
2. With the front edge raised, slide the shelf into the oven.
3. Once the detents have passed the front edge of the side rack, the shelf can be pushed completely in.

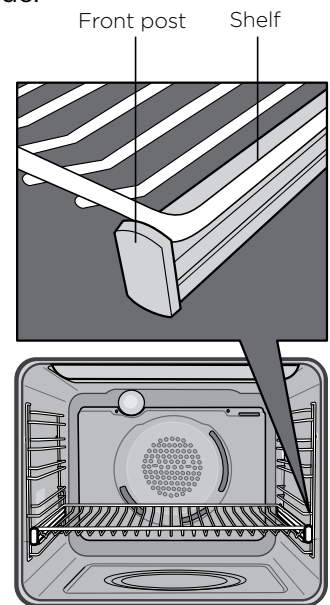


4. Fit shelf/tray (where supplied) to telescopic slides

1. Push the shelf or tray along the top of the slide until it hits the back post.



2. Drop the front of the shelf or tray onto the slide ensuring it sits behind the front post of the slide.



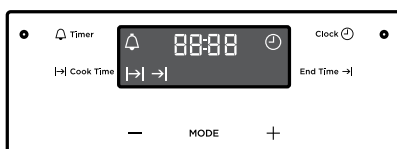
3. When fully inserted the shelf/tray should not interfere with the closed oven door.

Set the time

You must set the time before you can operate your appliance.

1. After the appliance has been electrically connected, '12:00' will be displayed and the clock icon will flash
2. Press + or - symbols/buttons to set the time of day

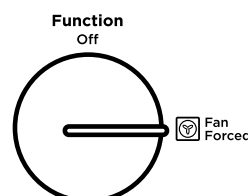
NOTE: The clock has a 24 hour display.



Condition the oven (to burn off any residue)

New appliances can have oil or residue left from manufacturing. You will need to heat your oven for 30 minutes before using it for the first time.

1. Turn the function selector dial to FAN FORCED
2. Using the temperature selector, set the oven at 180°C for approximately 30 minutes. Please ensure that the room is well ventilated during this process.



Go!

You're ready to use your new Westinghouse appliance. A few tips from us:

Remember to pre-heat each time.

For best cooking results pre-heat the oven. Pre-heating allows the oven to reach the required temperature quickly and efficiently as well as cook food at the correct temperature for the entire cook time. Recommended pre-heat time is 30 mins for baking and 3 minutes for grilling.

Choose the right program for the best result:

**FAN
FORCED**



This setting is best used when cooking on multiple shelves at once or reheating complete meals for your family.

**FAN &
GRILL**



When cooking large cuts of meat, this setting gives you result that is similar to 'roisserie' cooked meat. When using 'Fan Grill' it is not necessary to turn food over during the cooking cycle. Set temperature to 180°C and cook with the oven door closed.

AIRFRY



AirFry for that perfect, healthy crunch. When a food craving hits, make healthier and delicious food right in your oven. Deliver all the flavour and none of the guilt. AirFry allows you to make healthier tasty meals for the entire family – right in your oven. The only range with AirFry. (WVE616, WVE617 only)

**EASY BAKE
+ STEAM**



Steam helps you get a better rise, crispier crust, a fluffier centre and tastier textures for all your bread, pastries, cakes scones and puddings at home. (Available on WVE617 models only)

**STEAM
ASSISTED
CLEANING**



A 30-minute light oven cleaning that's chemical free, odour free and fast. Just add water, turn on the steam cycle and wait until it softens and loosens oven grime, grab a cloth, some detergent and wipe. Your oven is clean again. Easy. (Available on WVE617 models only)

Refer to your full user manual for more details on oven functions.

Set your temperature

- To set the temperature, turn the temperature selector in a clockwise direction to the desired setting.
- An indicator light in the display will turn on and oven will begin to heat.
- Once the food is cooked, turn the temperature selector back in an anti-clockwise direction.

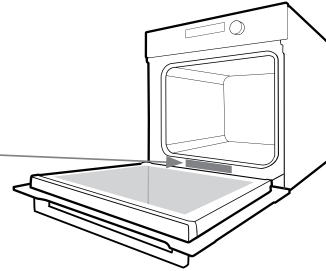
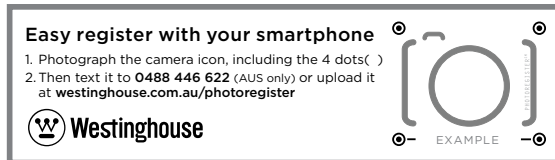
Note: The desired cooking function must be selected before the oven will turn on.

Quick Start Guide

WVE615, WVE616, WVE617 oven series

Easily register your product with your smartphone for quick access to all services and downloads

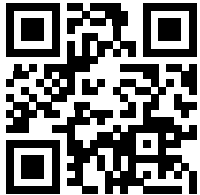
Step 1

 Locate the label on the inside of your product door

Step 2

 Photograph the camera icon, including the 4 dots ()

Step 3

 Text image to **0488 446 622** (AUS only) or upload at westinghouse.com.au/photoregister

Need more help?

To access your detailed user manual online, simply scan the QR code on your smart phone.



Customer Care Centre

Contact us if you need more help

Electrolux Home Products Australia

telephone: 13 13 49
email: customercare@electrolux.com.au
web: electrolux.com.au

Electrolux Home Products New Zealand

telephone: 0800 436 245
email: customercare@electrolux.co.nz
web: electrolux.co.nz