

60cm pyrolytic multi-function 14 dark stainless steel oven with steam assisted cooking functions, AirFry, telescopic runners and full touch electronic controls.



Product Details

FEATURES

| | | | |
|-------------------------------------|-----------------------|-----------------------------|---|
| Steam Assist | AirFry | PyroClean | Telescopic Runners One set of telescopic runners |
| Full touch electronic control panel | Cooler to Touch Doors | 80L gross capacity oven | Fast Heat Up |
| Programmable oven timer | Easy guide side racks | Dark Stainless Steel Finish | |

BENEFITS

Steam, our secret for delicious effortless cooking
Bring out natural flavours and goodness with our versatile steam functions. Steam Assist Cooking is ideal for meat, poultry and fish, ensuring an even cook from centre to surface with a crisp golden finish.

AirFry for that perfect crunch
When a food craving hits, make healthier and delicious food right in your oven with minimal oil. Deliver all the flavour and none of the guilt. AirFry allows you to make healthier, tasty meals for the entire family right in your oven.

Ovens that clean up after themselves
Even cleaning up is easier with Westinghouse. Choose a PyroClean oven and with the press of a button you can keep your oven shiny and clean. The oven turns on to an extremely high temperature, turning grease and grime into ash. All you need to do is simply wipe the residue away. No nasty chemicals, no greasy mess just a sparkling clean oven with minimal effort.

Designed for ease and safety
Telescopic runners are another piece of thoughtful design that makes it easy to draw racks out and safely check on your dishes during cooking.

Just a touch for total control
Simple to operate with a sleek design, our full-touch electric control panel with a fully programmable timer ticks all the right boxes. With just a touch or two on the easy clean surface you'll have total control over your cooking temperatures, times and functions.

Cooler to touch oven doors
Beautifully designed with Australian families in mind, the multi-layer glazing of our oven doors are cooler to the touch when the oven is hot.

Family meals made easy

With room for the family roast or a delicious dessert, our 80L capacity in our 60cm oven range allows you to make every mealtime easy and full of flavour.

Built in Australia

Westinghouse, has been the heart of the home for generations and the kitchen appliance brand we have always known and trusted to build reliable products. This oven is built in a local factory in Adelaide.

Specifications

PRODUCT PROFILE

| | |
|---------------------------------|-------------------------------------|
| Domestic warranty details (yrs) | 2 |
| Type of Oven | single oven |
| Oven fuel | electric |
| Materials/Colour | Dark stainless steel |
| Controls of Oven | Full touch electronic control panel |
| Cooling fan | Yes |

FLUSH FIT CUT OUT

| | |
|-------------------------------|-----|
| Flush fit cut out height (mm) | 600 |
| Flush fit cut out width (mm) | 600 |
| Flush fit cut out depth (mm) | 581 |

MAIN OVEN

DIMENSIONS

PRODUCT DIMENSION

| | |
|-------------------|-----|
| Total height (mm) | 597 |
| Total width (mm) | 596 |
| Total depth (mm) | 573 |

PROUD FIT CUT OUT

| | |
|-------------------------------|-----|
| Proud fit cut out height (mm) | 590 |
| Proud fit cut out width (mm) | 565 |
| Proud fit cut out depth (mm) | 560 |

ELECTRICAL CONNECTION

MAIN OVEN

| | |
|-----------------------|----|
| Gross capacity litres | 80 |
|-----------------------|----|

| | |
|-------------------------|----|
| Useable capacity litres | 72 |
|-------------------------|----|

| | |
|---------------|---------------|
| Oven function | multifunction |
|---------------|---------------|

| | |
|---------------------|----|
| Number of functions | 14 |
|---------------------|----|

| | |
|----------------|---|
| Oven Functions | fan grill,traditional bake,pizza,grill,AirFry,maxi grill,base heat,Pyroclean,fan cooking,roast,defrost,fan bake,Quick cook,Steam Assisted Cooking |
|----------------|---|

| | |
|------------|---------------------------------|
| Oven liner | pyrolux high temperature enamel |
|------------|---------------------------------|

| | |
|-----------------|--|
| Timer functions | minute minder,Cook time,End time,Delayed start,Time of day,24 hour clock |
|-----------------|--|

| | |
|---------------|----|
| Light wattage | 25 |
|---------------|----|

OTHER FEATURES

| | |
|----------|-----------|
| Cleaning | pyrolytic |
|----------|-----------|

| | |
|---------------------|---|
| Pyrolytic functions | 2 |
|---------------------|---|

| | |
|-----------------------------|--|
| Type of Pyrolytic functions | pyrolytic light soil,pyrolytic medium soil |
|-----------------------------|--|

ELECTRICAL CONNECTION

| | |
|-------------------|-----|
| Connected load KW | 3.3 |
|-------------------|-----|

| | |
|-------------------------------|------|
| Maximum current rating (amps) | 13.8 |
|-------------------------------|------|

| | |
|--------------------|-----------|
| Type of connection | hardwired |
|--------------------|-----------|

SHIPPING

| | |
|----------------------|------|
| Shipping Weight (Kg) | 42.5 |
|----------------------|------|

| | |
|-----------------------------|-----|
| Pack Dimensions Height (mm) | 665 |
|-----------------------------|-----|

| | |
|---------------------------|-----|
| Pack Dimension Width (mm) | 635 |
|---------------------------|-----|

OTHER FEATURES

| | |
|---------------------------|--|
| Door | drop down,removable door,removable inner glass panes |
| Timer | 3 button touch control programmable timer |
| Lights | 1 |
| Light wattage | 25 |
| Light position | rear |
| Telescopic runners | one |
| Shelf support | Easy glide side racks |
| Number of shelves | 2 |
| Safety features | cool door |
| Closed door grilling | Yes |
| Included accessories | grill/oven pan,2 x chromed wire shelf,wire grill insert,side racks,baking tray,telescopic runners (1 set) ,AirFry tray |
| Layers of glass in door | 4 |
| Number of shelf positions | 5 |

SHIPPING

| | |
|---------------------------|-----|
| Pack Dimension Depth (mm) | 670 |
|---------------------------|-----|

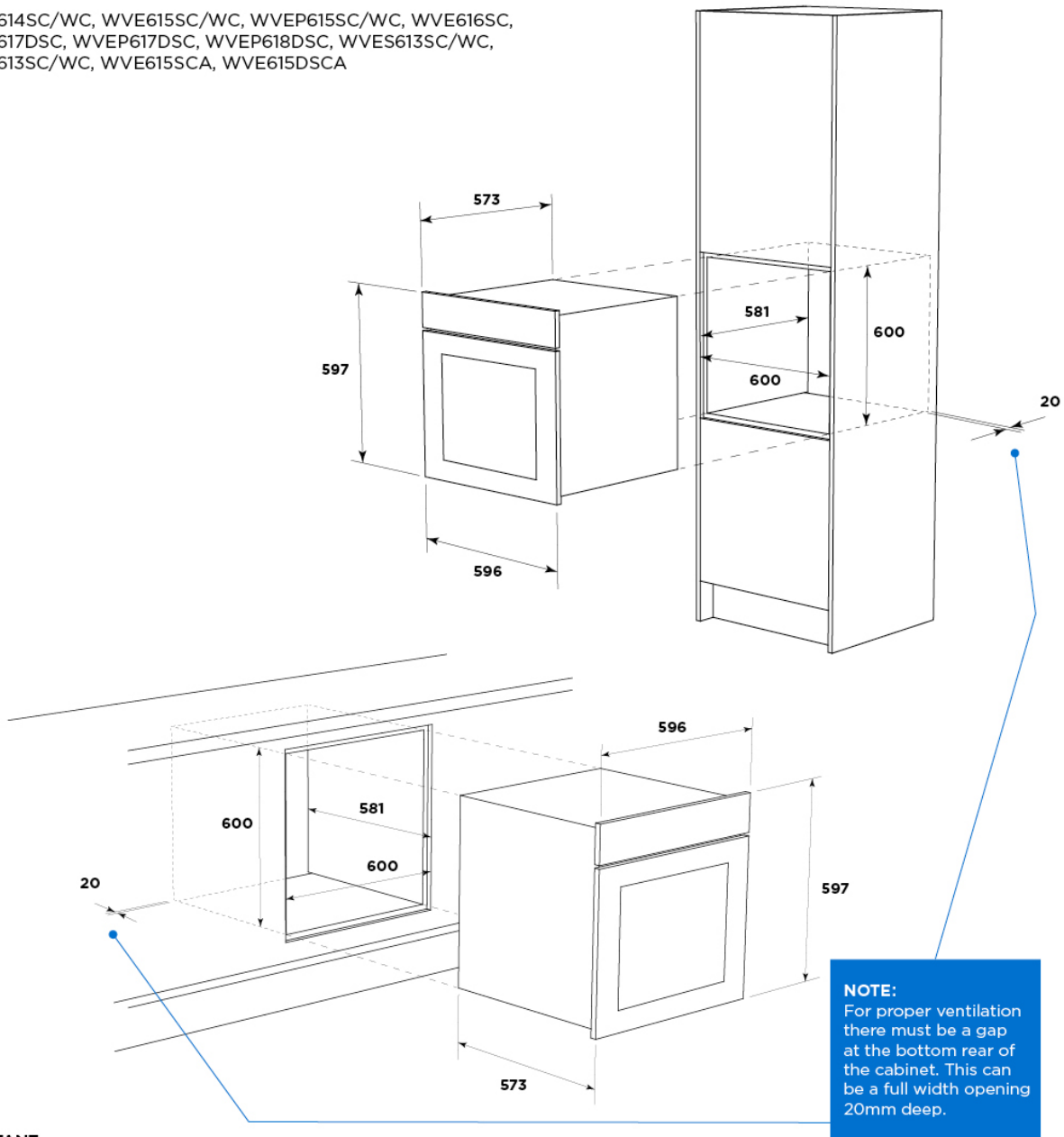
STUFFING QUANTITIES

40ft

153

Dimensions

WVE614SC/WC, WVE615SC/WC, WVEP615SC/WC, WVE616SC,
WVE617DSC, WVEP617DSC, WVEP618DSC, WVES613SC/WC,
WVE613SC/WC, WVE615SCA, WVE615DSCA



NOTE:
For proper ventilation there must be a gap at the bottom rear of the cabinet. This can be a full width opening 20mm deep.

IMPORTANT

These dimensions are a guide only. All measurements are in millimetres (mm). For complete installation instructions, refer to the manual provided with product.

Terms and Conditions

IMPORTANT

This is a guide of product dimensions only. For complete installation instructions, refer to the manual provided with product.

PRODUCT INFORMATION

The descriptors and illustrations in this publication apply to the specific products and models described as at the date of issue. Under our policy of continuous product development, product specifications may change without notice. Prospective purchasers should therefore check with their retailer to ensure this publication correctly describes the products that are being offered for sale. All information supplied is to be used for general reference purposes only and is on the understanding that Electrolux Home Products Pty Ltd (Australia) and Electrolux (NZ) Ltd (New Zealand) will not be liable for any loss, liability or damage of whatever kind arising as a result of reliance on such information. Colours of products illustrated are as close as printing limitations allow. Electrolux will at all times comply with its obligations pursuant to law including Trade Practices (Australian Consumer Law) Act and Regulations.

WARRANTY

This warranty only applies to Appliances purchased and used in Australia or New Zealand and used in normal domestic applications and is in addition to (and does not exclude, restrict, or modify in any way) any non-excludable statutory warranties in Australia or New Zealand. All warranties are subject to the conditions set out in the warranty card accompanying the product when purchased.

ELECTROLUX HOME PRODUCTS AUSTRALIA

telephone: 1300 363 640

fax: 1800 350 067

email: customercare@electrolux.com.au

web: www.electrolux.com.au

ELECTROLUX HOME PRODUCTS NEW ZEALAND

telephone: 09 573 2230

fax: 09 573 2221

email: customercare@electrolux.co.nz

web: www.electrolux.co.nz