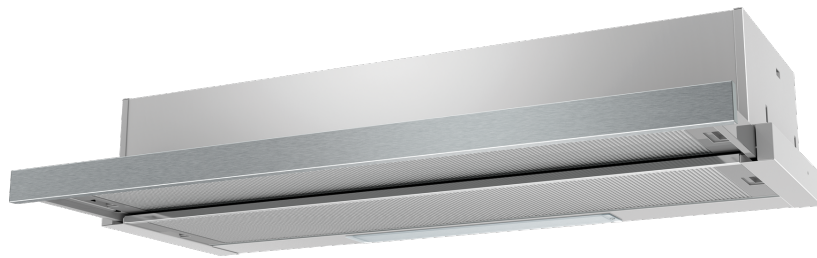


**90cm slide out stainless steel trimmed rangehood with 2 fans, 3 speeds and top recirculating option.**



## Product Details

### FEATURES

---

340m<sup>3</sup>/hr extraction rate

LED lighting

3 speed fan

Dishwasher safe mesh filters

---

Slimline design suitable for integration

Removable front fascia  
Front fascia panel of rangehood can be removed and exchanged with a trim to integrate into the kitchen colour scheme

---

### BENEFITS

---

#### Clear the air quickly

Our rangehoods offer powerful extraction rates ensuring your kitchen is clear of cooking odours, vapours and excess heat in no time at all.

#### Low energy, long lasting LED

With low energy use and a high illumination performance, long-lasting LED lights make it easy to keep an eye on your delicious cooking.

---

#### Easy-clean filters

For ease and convenience, our easily removed aluminium micro-mesh filters can simply be washed safely in your dishwasher or hand washed. Keep your rangehood looking great and performing well with next to no effort.

#### Slimline design suitable for integration

Designed for integration, the front trim can be installed flush with the cabinetry or be removed and replaced with the cabinet material for total integration.

---

## Specifications

### PRODUCT PROFILE

---

Domestic warranty details (yrs)	2
---------------------------------	---

---

Type of Rangehood	slide out
-------------------	-----------

---

Nominal width (cm)	900
--------------------	-----

---

Finish of Rangehood	stainless steel,grey
---------------------	----------------------

---

### MOTOR/FAN

---

Number of fans	2
----------------	---

---

Number of fans speeds	3
-----------------------	---

---

Type of motor	centrifugal
---------------	-------------

---

Perimeter extraction	No
----------------------	----

---

Maximum airflow M3/Hr	340
-----------------------	-----

---

Noise level dB high	66
---------------------	----

---

Noise level dB low	57
--------------------	----

---

Number of motors	2
------------------	---

---

Wattage of motor	125
------------------	-----

---

### DIMENSIONS

---

Total product height (mm)	175
---------------------------	-----

---

Total product width (mm)	898
--------------------------	-----

---

Total product depth (mm)	300
--------------------------	-----

---

### POWER

---

Electricity supply required (Kw)	0.262
----------------------------------	-------

---

## DIMENSIONS

---

Diameter of ducting (mm)	120
--------------------------	-----

---

Minimum installation height from cooking surface Gas (mm)	650
---	-----

---

Minimum installation height from cooking surface Electric (mm)	600
--	-----

---

## CONTROLS

---

Control panel	auto activated pull/push
---------------	--------------------------

---

Safety/ display indicators	automatic safety cut off
----------------------------	--------------------------

---

## LIGHTS

---

Number of lights	2
------------------	---

---

Wattage of light	5.5
------------------	-----

---

Type of light	LED
---------------	-----

---

## FILTERS

---

Number of filters	2
-------------------	---

---

Type of filter	multilayer aluminum micromesh filters
----------------	---------------------------------------

---

Dishwasher safe	Yes
-----------------	-----

---

## DUCTING / RECIRCULATION

---

Ducting	optional accessory
---------	--------------------

---

Top or rear duct hole	top
-----------------------	-----

---

Recirculation option	Yes
----------------------	-----

---

Recirculation kit	optional accessory
-------------------	--------------------

---

Front recirculating option	Yes
----------------------------	-----

---

## SHIPPING

---

Shipping Volume (m3)	0.084
----------------------	-------

---

Shipping Weight (Kg)	15
----------------------	----

---

Product Weight (Kg)	11.3
---------------------	------

---

Pack Dimensions Height (mm)	244
-----------------------------	-----

---

Pack Dimension Width (mm)	955
---------------------------	-----

---

Pack Dimension Depth (mm)	361
---------------------------	-----

---

## DUCTING / RECIRCULATION

---

Type of filter	Charcoal
----------------	----------

---

Filter	Optional
--------	----------

---

Number of optional filters required	two
-------------------------------------	-----

---

## STUFFING QUANTITIES

---

20ft	342
------	-----

---

40ft	666
------	-----

---

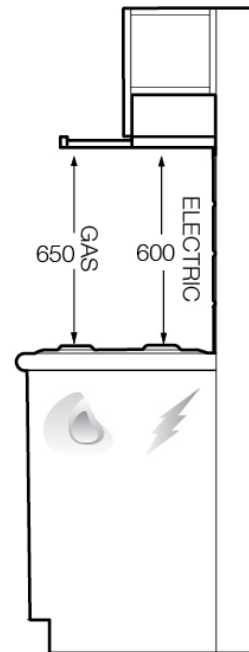
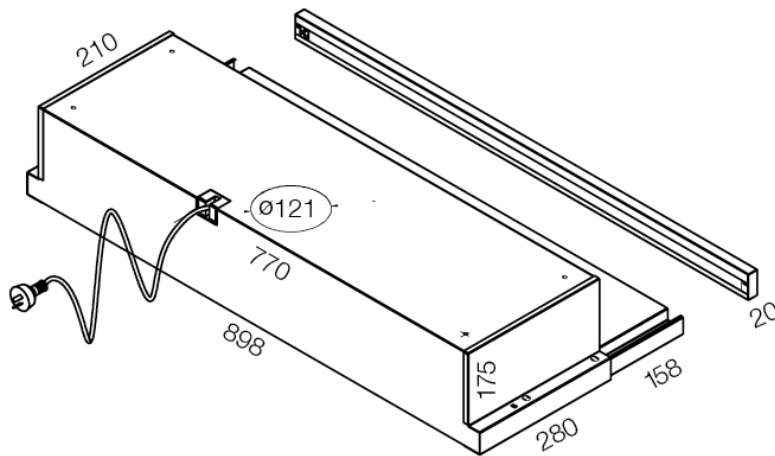
40ft HC	740
---------	-----

---

## Dimensions

### Slide out rangehood

WRR904SB



#### IMPORTANT

These dimensions are a guide only. All measurements are in millimetres (mm).  
For complete installation instructions, refer to the manual provided with product.

# Terms and Conditions

## IMPORTANT

This is a guide of product dimensions only. For complete installation instructions, refer to the manual provided with product.

## PRODUCT INFORMATION

The descriptors and illustrations in this publication apply to the specific products and models described as at the date of issue. Under our policy of continuous product development, product specifications may change without notice. Prospective purchasers should therefore check with their retailer to ensure this publication correctly describes the products that are being offered for sale. All information supplied is to be used for general reference purposes only and is on the understanding that Electrolux Home Products Pty Ltd (Australia) and Electrolux (NZ) Ltd (New Zealand) will not be liable for any loss, liability or damage of whatever kind arising as a result of reliance on such information. Colours of products illustrated are as close as printing limitations allow. Electrolux will at all times comply with its obligations pursuant to law including Trade Practices (Australian Consumer Law) Act and Regulations.

## WARRANTY

This warranty only applies to Appliances purchased and used in Australia or New Zealand and used in normal domestic applications and is in addition to (and does not exclude, restrict, or modify in any way) any non-excludable statutory warranties in Australia or New Zealand. All warranties are subject to the conditions set out in the warranty card accompanying the product when purchased.

### ELECTROLUX HOME PRODUCTS AUSTRALIA

telephone: 1300 363 640

fax: 1800 350 067

email: [customercare@electrolux.com.au](mailto:customercare@electrolux.com.au)

web: [www.electrolux.com.au](http://www.electrolux.com.au)

### ELECTROLUX HOME PRODUCTS NEW ZEALAND

telephone: 09 573 2230

fax: 09 573 2221

email: [customercare@electrolux.co.nz](mailto:customercare@electrolux.co.nz)

web: [www.electrolux.co.nz](http://www.electrolux.co.nz)