

54cm white gas freestanding cooker with separate gas grill, conventional gas oven, 60 minute timer, manual ignition and a 4 burner gas cooktop. LP conversion kit included.



Product Details

FEATURES

Conventional gas oven	Handy separate grilling compartment	Easy clean formed shelf supports	80L/37L capacity oven/grill
Gas cooktop	FamilySafe Flame Failure Device Stops the gas supply if the flame is extinguished.	Available in natural gas or LPG	LP Conversion Kit An LP conversion kit is supplied with all models for conversion by a qualified installer.

BENEFITS

Grill separately for smooth entertaining
The separate grilling compartment on selected models means you can entertain guests and cook big family meals with absolute ease and without compromising on precious oven space.

Clean your shelf supports with ease
When it comes to cleaning your oven we want it to be fuss free, given the design of our shelf supports you can clean the sides of your oven with ease as there are no racks to be removed.

Built in Australia
Westinghouse, has been the heart of the home for generations and the kitchen appliance brand we have always known and trusted to build reliable products. This oven is built in a local factory in Adelaide.

Specifications

PRODUCT PROFILE

Domestic warranty details (yrs)	2
---------------------------------	---

Oven fuel	gas
-----------	-----

Materials/Colour	white enamel
------------------	--------------

Controls of Oven	control knob
------------------	--------------

Cooling fan	No
-------------	----

Plinth colour (kickboard)	white
---------------------------	-------

Anti tilt plate	Yes
-----------------	-----

Front/rear controls	front
---------------------	-------

MAIN OVEN

Gross capacity litres	80
-----------------------	----

Useable capacity litres	77
-------------------------	----

Oven function	conventional
---------------	--------------

Oven liner	enamel
------------	--------

DIMENSIONS

PRODUCT DIMENSION

Total height (mm)	1150
-------------------	------

Total width (mm)	540
------------------	-----

Total depth (mm)	620
------------------	-----

SECOND OVEN OR GRILL

Gross capacity litres	37
-----------------------	----

Closed door grilling	No
----------------------	----

Shelf support	side rack
---------------	-----------

Number of shelf positions	3
---------------------------	---

MAIN OVEN

Layers of glass in door	2
-------------------------	---

Shelf support	easy clean formed shelf supports
---------------	----------------------------------

Number of shelves	2
-------------------	---

Number of shelf positions	5
---------------------------	---

Safety features	flame failure safety device
-----------------	-----------------------------

ELECTRICAL CONNECTION

Connected load KW	0
-------------------	---

Type of connection	not required
--------------------	--------------

SHIPPING

Shipping Volume (m3)	0.520
----------------------	-------

Shipping Weight (Kg)	44.5
----------------------	------

Pack Dimensions Height (mm)	1235
-----------------------------	------

Pack Dimension Width (mm)	580
---------------------------	-----

GAS SPECIFICATIONS

Oven burner output (NG) Mjh	11.8
--------------------------------	------

STUFFING QUANTITIES

40ft	128
------	-----

40ft HC	152
---------	-----

SHIPPING

Pack Dimension Depth (mm)	726
---------------------------	-----

COOKTOP (IF APPLICABLE)

PRODUCT PROFILE

Cook top type	gas
---------------	-----

Materials/Colour	white enamel
------------------	--------------

Knob finish	white
-------------	-------

LEFT FRONT ZONE

Left front Mj/h	12.7
-----------------	------

RIGHT FRONT ZONE

Right front Mj/h	5.1
------------------	-----

FEATURES

ELEMENTS/BURNERS

Cooking zones	4
---------------	---

LEFT REAR ZONE

Left rear zone	semi-rapid
----------------	------------

Left rear Mj/h	9.0
----------------	-----

RIGHT REAR ZONE

Right rear Mj/h	9.0
-----------------	-----

CONTROLS

Trivets	enamel
---------	--------

Ignition type	manual
---------------	--------

Position of controls	front
----------------------	-------

ELECTRICAL CONNECTION

Connected load KW	0
-------------------	---

Type of connection of Cooktop	not required
-------------------------------	--------------

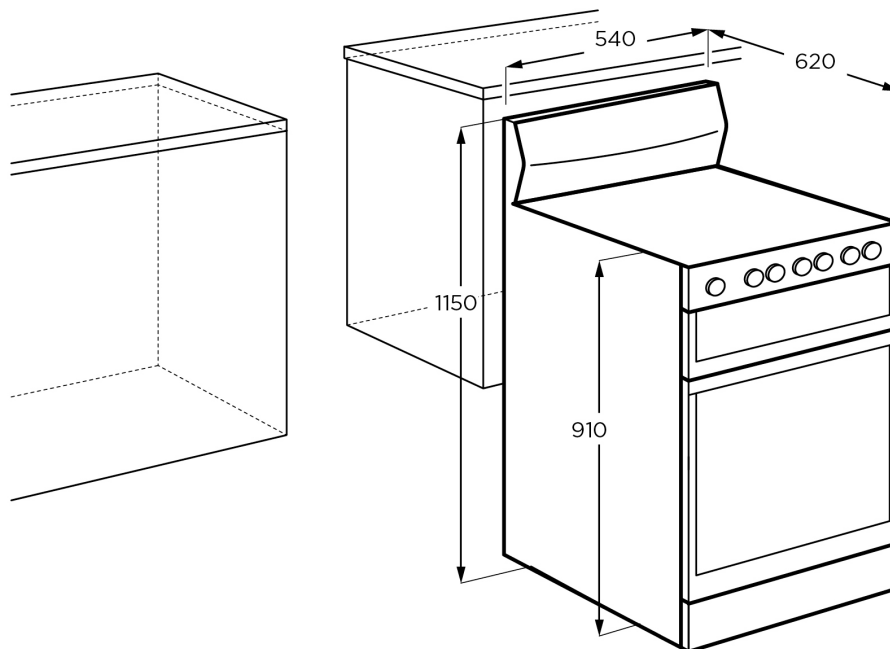
GAS SPECIFICATIONS

Maximum gas rating (NG)	59.1
-------------------------	------

Dimensions

54cm Front Control Freestanding Cooker, Separate Grill

WLG510WCH, WLG510WCA, WLG512WCH



IMPORTANT

These dimensions are a guide only. All measurements are in millimetres (mm).
For complete installation instructions, refer to the manual provided with product.

Terms and Conditions

IMPORTANT

This is a guide of product dimensions only. For complete installation instructions, refer to the manual provided with product.

PRODUCT INFORMATION

The descriptors and illustrations in this publication apply to the specific products and models described as at the date of issue. Under our policy of continuous product development, product specifications may change without notice. Prospective purchasers should therefore check with their retailer to ensure this publication correctly describes the products that are being offered for sale. All information supplied is to be used for general reference purposes only and is on the understanding that Electrolux Home Products Pty Ltd (Australia) and Electrolux (NZ) Ltd (New Zealand) will not be liable for any loss, liability or damage of whatever kind arising as a result of reliance on such information. Colours of products illustrated are as close as printing limitations allow. Electrolux will at all times comply with its obligations pursuant to law including Trade Practices (Australian Consumer Law) Act and Regulations.

WARRANTY

This warranty only applies to Appliances purchased and used in Australia or New Zealand and used in normal domestic applications and is in addition to (and does not exclude, restrict, or modify in any way) any non-excludable statutory warranties in Australia or New Zealand. All warranties are subject to the conditions set out in the warranty card accompanying the product when purchased.

ELECTROLUX HOME PRODUCTS AUSTRALIA

telephone: 1300 363 640

fax: 1800 350 067

email: customercare@electrolux.com.au

web: www.electrolux.com.au

ELECTROLUX HOME PRODUCTS NEW ZEALAND

telephone: 09 573 2230

fax: 09 573 2221

email: customercare@electrolux.co.nz

web: www.electrolux.co.nz