

**54cm white gas freestanding cooker with separate gas grill, conventional gas oven, electronic ignition, 60 minute timer and 4 burner gas cooktop. COMMERCIAL EXCLUSIVE.**



## Product Details

### FEATURES

---

Conventional gas oven	Handy separate grilling compartment	1 hour mechanical timer	Easy clean formed shelf supports
-----------------------	-------------------------------------	-------------------------	----------------------------------

---

80L/37L capacity oven/grill	Gas cooktop	FamilySafe Flame Failure Device Stops the gas supply if the flame is extinguished.
-----------------------------	-------------	---

---

### BENEFITS

---

**Grill separately for smooth entertaining**  
The separate grilling compartment on selected models means you can entertain guests and cook big family meals with absolute ease and without compromising on precious oven space.

---

**Set for 1 hour**  
The mechanical timer keeps track of your cooking time for 1 hour.

---

**Easy clean formed shelf supports**  
Formed runners on the inside of your oven (instead of racks) means easier cleaning.

---

**FamilySafe Flame Failure Device**  
Created with your safety in mind, the flame failure safety device will immediately shut off the gas supply if the flame on the cooktop is unexpectedly extinguished. So you can always cook without worry.

---

**Built in Australia**  
Westinghouse, has been the heart of the home for generations and the kitchen appliance brand we have always known and trusted to build reliable products. This oven is built in a local factory in Adelaide.

---

## Specifications

### PRODUCT PROFILE

---

Domestic warranty details (yrs)	2
Oven fuel	gas
Materials/Colour	white enamel
Controls of Oven	control knob
Cooling fan	No
Plinth colour (kickboard)	white
Anti tilt plate	Yes
Swept up hob	Yes
Front/rear controls	front

### MAIN OVEN

---

Gross capacity litres	80
Useable capacity litres	77
Oven function	conventional

### DIMENSIONS

---

#### PRODUCT DIMENSION

---

Total height (mm)	1150
Total width (mm)	540
Total depth (mm)	620

### SECOND OVEN OR GRILL

---

Gross capacity litres	37
Closed door grilling	No
Shelf support	side rack

## MAIN OVEN

---

Cleaning	easy clean door
Oven liner	enamel
Timer functions	acoustic signal, minute minder
Lights	1
Light wattage	25
Light position	back
Layers of glass in door	2
Shelf support	easy clean formed shelf supports
Number of shelves	2
Number of shelf positions	5
Safety features	flame failure safety device

## ELECTRICAL CONNECTION

---

Connected load KW	0.026
Type of connection	10A plug & lead

## SECOND OVEN OR GRILL

---

Number of shelf positions	3
---------------------------	---

---

## SHIPPING

---

Shipping Weight (Kg)	44.5
Pack Dimensions Height (mm)	1240

---

## STUFFING QUANTITIES

---

40ft	128
------	-----

40ft HC	152
---------	-----

---

## ELEMENTS/BURNERS

---

Cooking zones	4
---------------	---

---

## FEATURES

---

Trivets	enamel
---------	--------

---

Ignition type	electronic
---------------	------------

---

## ELECTRICAL CONNECTION

---

## SHIPPING

---

Pack Dimension Width (mm)	580
---------------------------	-----

---

Pack Dimension Depth (mm)	733
---------------------------	-----

---

## COOKTOP (IF APPLICABLE)

---

### PRODUCT PROFILE

---

Cook top type	gas
---------------	-----

---

Materials/Colour	white enamel
------------------	--------------

---

## LEFT REAR ZONE

---

Left rear zone	semi-rapid
----------------	------------

---

## CONTROLS

---

Position of controls	front
----------------------	-------

---

## GAS SPECIFICATIONS

---

Connected load KW 0.25

---

Maximum gas rating (NG) 59.1

---

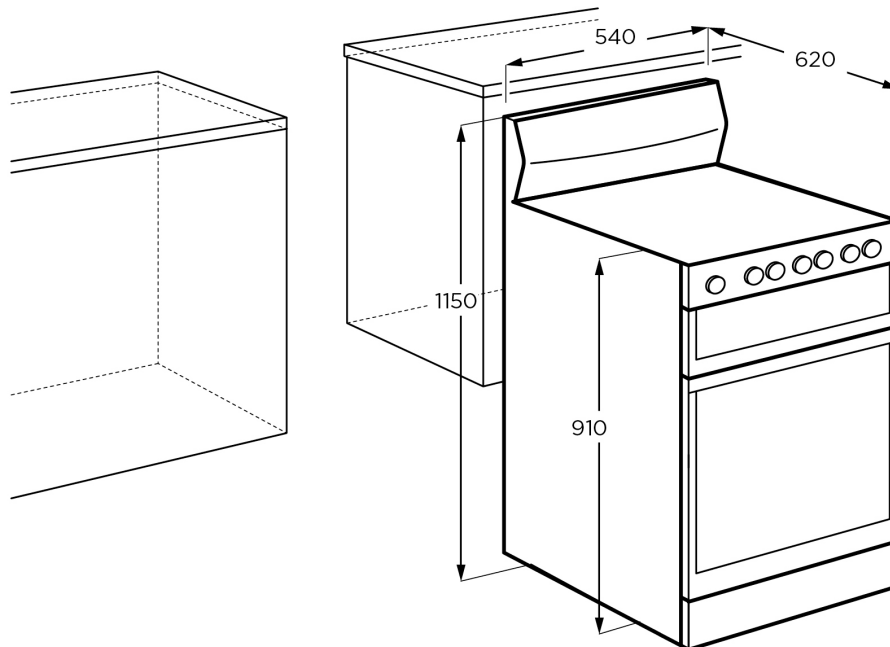
Type of connection of  
Cooktop plug & lead

---

## Dimensions

### 54cm Front Control Freestanding Cooker, Separate Grill

WLG510WC, WLG510WCA, WLG512WC



#### IMPORTANT

These dimensions are a guide only. All measurements are in millimetres (mm).  
For complete installation instructions, refer to the manual provided with product.

## Terms and Conditions

### IMPORTANT

This is a guide of product dimensions only. For complete installation instructions, refer to the manual provided with product.

### PRODUCT INFORMATION

The descriptors and illustrations in this publication apply to the specific products and models described as at the date of issue. Under our policy of continuous product development, product specifications may change without notice. Prospective purchasers should therefore check with their retailer to ensure this publication correctly describes the products that are being offered for sale. All information supplied is to be used for general reference purposes only and is on the understanding that Electrolux Home Products Pty Ltd (Australia) and Electrolux (NZ) Ltd (New Zealand) will not be liable for any loss, liability or damage of whatever kind arising as a result of reliance on such information. Colours of products illustrated are as close as printing limitations allow. Electrolux will at all times comply with its obligations pursuant to law including Trade Practices (Australian Consumer Law) Act and Regulations.

### WARRANTY

This warranty only applies to Appliances purchased and used in Australia or New Zealand and used in normal domestic applications and is in addition to (and does not exclude, restrict, or modify in any way) any non-excludable statutory warranties in Australia or New Zealand. All warranties are subject to the conditions set out in the warranty card accompanying the product when purchased.

#### ELECTROLUX HOME PRODUCTS AUSTRALIA

telephone: 1300 363 640

fax: 1800 350 067

email: [customercare@electrolux.com.au](mailto:customercare@electrolux.com.au)

web: [www.electrolux.com.au](http://www.electrolux.com.au)

#### ELECTROLUX HOME PRODUCTS NEW ZEALAND

telephone: 09 573 2230

fax: 09 573 2221

email: [customercare@electrolux.co.nz](mailto:customercare@electrolux.co.nz)

web: [www.electrolux.co.nz](http://www.electrolux.co.nz)