

54cm white electric freestanding oven with separate electric grill, fan forced electric oven, digital programmable timer and a 4 zone ceramic cooktop.



Product Details

FEATURES

Electric fan forced oven	Handy separate grilling compartment	80L/32L capacity oven/grill	Digital Programmable timer
Easy clean formed shelf supports	Easy reach rear controls	Hot surface indicator	Ceramic cooktop

BENEFITS

Fan forced for even cooking
When it comes to cooking, one of the biggest is even heat distribution over your dishes. By using fan forced cooking you are able to create an even cooking result.

Grill separately for smooth entertaining
The separate grilling compartment on selected models means you can entertain guests and cook big family meals with absolute ease and without compromising on precious oven space.

Clean your shelf supports with ease
When it comes to cleaning your oven we want it to be fuss free, given the design of our shelf supports you can clean the sides of your oven with ease as there are no racks to be removed.

Rear control for safety
Our rear control is easy to reach and angled to keep your cookers control away from smaller hands.

Built in Australia
Westinghouse, has been the heart of the home for generations and the kitchen appliance brand we have always known and trusted to build reliable products. This oven is built in a local factory in Adelaide.

Specifications

PRODUCT PROFILE

Domestic warranty details (yrs)	2
Oven fuel	electric
Materials/Colour	white enamel
Controls of Oven	control knob
Cooling fan	No
Plinth colour (kickboard)	white
Front/rear controls	rear

MAIN OVEN

Gross capacity litres	80
Useable capacity litres	66
Oven function	fan forced
Cleaning	none
Oven liner	enamel

DIMENSIONS

PRODUCT DIMENSION

Total height (mm)	1150
Total width (mm)	540
Total depth (mm)	620

SECOND OVEN OR GRILL

Closed door grilling	No
Shelf support	side rack
Number of shelf positions	2

MAIN OVEN

Lights	1
--------	---

Layers of glass in door	2
-------------------------	---

Shelf support	easy clean formed shelf supports
---------------	----------------------------------

Number of shelves	5
-------------------	---

Number of shelf positions	8
---------------------------	---

Closed door grilling	No
----------------------	----

ELECTRICAL CONNECTION

Connected load KW	9.7
-------------------	-----

Type of connection	hardwired
--------------------	-----------

SHIPPING

Shipping Volume (m3)	0.520
----------------------	-------

Shipping Weight (Kg)	46.5
----------------------	------

Pack Dimensions Height (mm)	1235
-----------------------------	------

Pack Dimension Width (mm)	580
---------------------------	-----

Pack Dimension Depth (mm)	726
---------------------------	-----

STUFFING QUANTITIES

COOKTOP (IF APPLICABLE)

STUFFING QUANTITIES

40ft	128
------	-----

40ft HC	152
---------	-----

ELEMENTS/BURNERS

Cooking zones	4
---------------	---

Pot sensors	No
-------------	----

Boost function	No
----------------	----

LEFT REAR ZONE

Left rear zone	ceramic
----------------	---------

Left rear watts	2000
-----------------	------

Left rear number of cooking zones	1
-----------------------------------	---

RIGHT REAR ZONE

Right rear watts	1200
------------------	------

PRODUCT PROFILE

Cook top type	ceramic
---------------	---------

Materials/Colour	black ceramic glass
------------------	---------------------

Knob finish	white
-------------	-------

LEFT FRONT ZONE

Left front Watts	1200
------------------	------

Left front number of cooking zones	1
------------------------------------	---

RIGHT FRONT ZONE

Right front Watts	1200
-------------------	------

Right front number of cooking zones	1
-------------------------------------	---

ELECTRICAL CONNECTION

Connected load KW	9.7
-------------------	-----

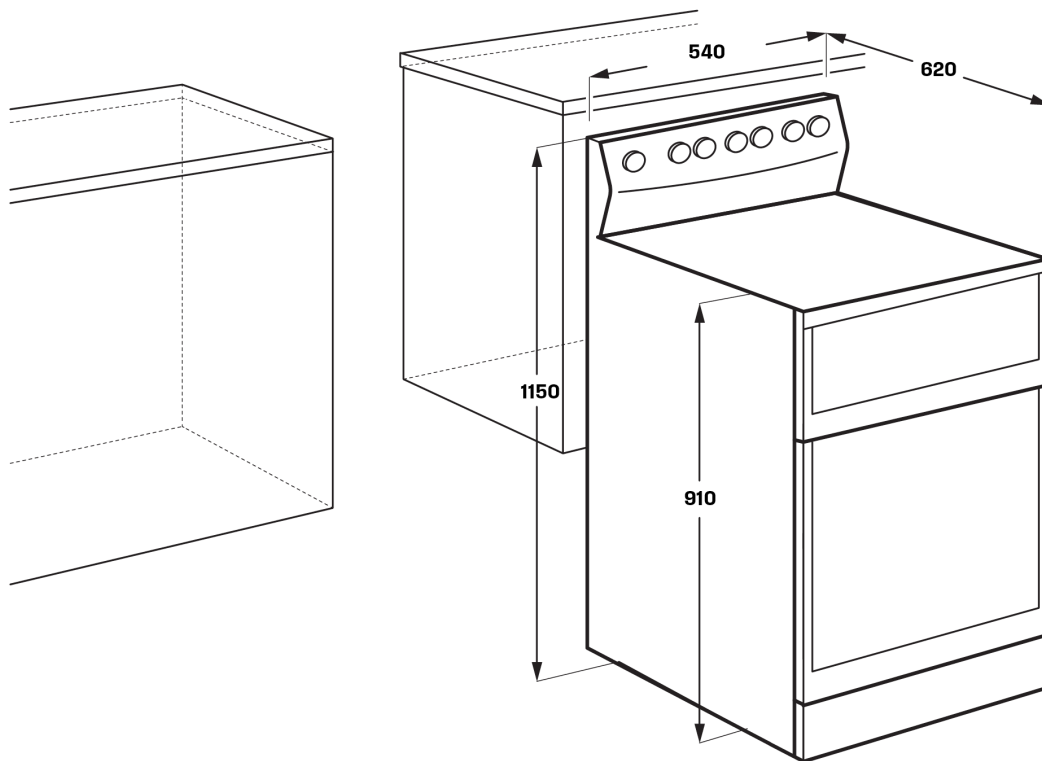
Right rear number of cooking zones 1

Type of connection of Cooktop hardwired

Dimensions

54cm Rear Control Freestanding Cooker, Separate Grill

WLE543WCB



IMPORTANT

These dimensions are a guide only. All measurements are in millimetres (mm). For complete installation instructions, refer to the manual provided with product.

Terms and Conditions

IMPORTANT

This is a guide of product dimensions only. For complete installation instructions, refer to the manual provided with product.

PRODUCT INFORMATION

The descriptors and illustrations in this publication apply to the specific products and models described as at the date of issue. Under our policy of continuous product development, product specifications may change without notice. Prospective purchasers should therefore check with their retailer to ensure this publication correctly describes the products that are being offered for sale. All information supplied is to be used for general reference purposes only and is on the understanding that Electrolux Home Products Pty Ltd (Australia) and Electrolux (NZ) Ltd (New Zealand) will not be liable for any loss, liability or damage of whatever kind arising as a result of reliance on such information. Colours of products illustrated are as close as printing limitations allow. Electrolux will at all times comply with its obligations pursuant to law including Trade Practices (Australian Consumer Law) Act and Regulations.

WARRANTY

This warranty only applies to Appliances purchased and used in Australia or New Zealand and used in normal domestic applications and is in addition to (and does not exclude, restrict, or modify in any way) any non-excludable statutory warranties in Australia or New Zealand. All warranties are subject to the conditions set out in the warranty card accompanying the product when purchased.

ELECTROLUX HOME PRODUCTS AUSTRALIA

telephone: 1300 363 640

fax: 1800 350 067

email: customercare@electrolux.com.au

web: www.electrolux.com.au

ELECTROLUX HOME PRODUCTS NEW ZEALAND

telephone: 09 573 2230

fax: 09 573 2221

email: customercare@electrolux.co.nz

web: www.electrolux.co.nz