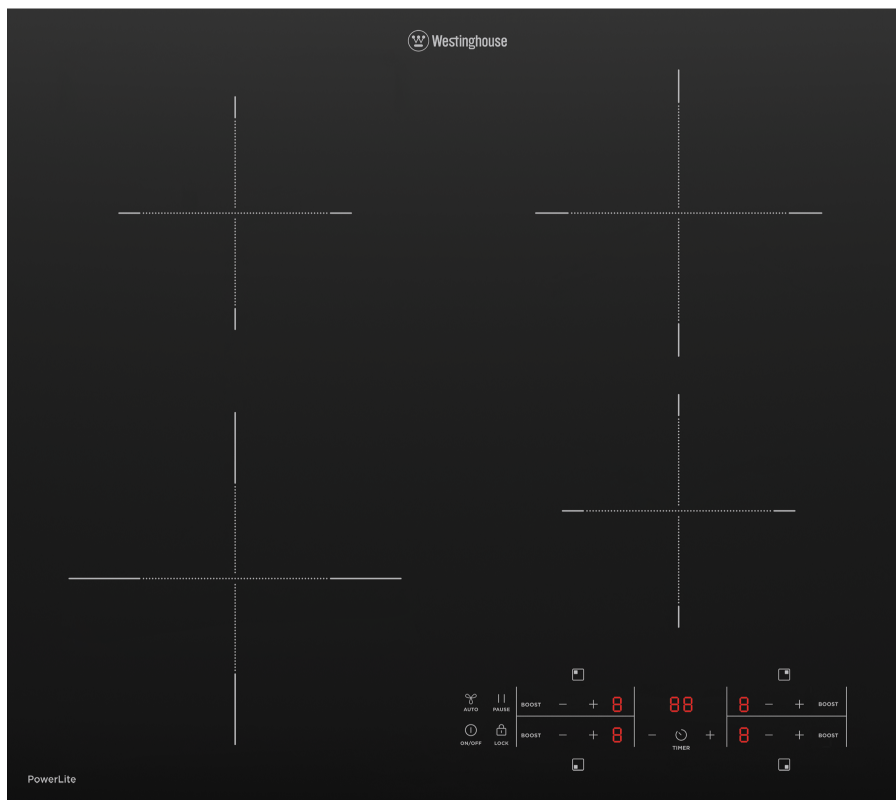


60cm 4 zone PowerLite induction cooktop with Hob2Hood, PowerBoost, Pause and touch slide controls.



## Product Details

### FEATURES

---

PowerBoost

Pause

Hob2Hood

Touch control

Child safety device

QuickCook Timer

Easy clean ceramic surface

Residual heat indicator

### BENEFITS

---

#### Zero to Boil in no time

With PowerBoost, you can rapidly boil a pot of water or quickly heat up a frying pan. Spend less time waiting and more time creating your favourite meals.

#### Hold everything with our clever Pause function

We know that family life is full of distractions. That's why you'll appreciate our clever Pause function. Simply touch the Pause icon on your cooktop and all operating induction zones will drop to the lowest setting. When you're ready to go again, hit Pause again and settings will return to where you left off.

#### Clear the air with Hob2Hood

With Hob2Hood technology, compatible rangehoods work seamlessly with your induction or ceramic cooktop to clear your kitchen of cooking smells and steam. As you start cooking, the rangehood will automatically turn on then intuitively adjust the fan speed and airflow to match your cooking. How's that for hands-free convenience?

#### Transition to induction with ease

If switching to an induction cooktop is on your to-do list, you can upgrade with extra ease if your new induction cooktop shares the same rated input power as your old ceramic or electric cooktop.

#### Timed to perfection

Never over-cook or burn dinner again. Just set the cooking time and your cooktop will automatically turn the heat off for you.

#### Easy clean ceramic surface

The durable ceramic cooktop surface is easy to clean and maintain ensuring your kitchen is always looking its best.

# Specifications

## PRODUCT PROFILE

Domestic warranty details (yrs)	2
Cooktop type	induction
Materials/Colour	black ceramic glass

## CONTROLS

Controls of Cooktops	Touch and Slide controls
Position of controls	right front
Functions of Cooktops	timer,pause,Hob2Hood,PowerBoost,stop and go,auto heat up,automatic switch off,Child-lock,Pot detection
Indicators/display	residual heat warning lamps,fault indicator

## DIMENSIONS

Total product height (mm)	51
Total product width (mm)	590
Total product depth (mm)	520
Cut out width (mm)	560
Cut out depth (mm)	490

## ELEMENTS/BURNERS

### LEFT FRONT ZONE

Left front zone	induction
Left front Watts	2300
Left front boost watts	3200
Left front number of cooking zones	1
Left front diameter mm	210

## CONTROLS

Features of Cooktop	safety child lock,hot surface indicator,safety cut off,Hob2Hood,electronic timer,minute minder,function lock,pot sensors,child safety device lock,Hob2Hood Connectivity
Timer of Cooktop	countdown,auto off,Minute minder
Readable temperature setting	No

## LEFT REAR ZONE

Left rear zone	induction
Left rear watts	1400
Left rear number of cooking zones	1
Left rear diameter mm	140

## RIGHT REAR ZONE

Right rear zone	induction
Right rear watts	1800

## RIGHT FRONT ZONE

Right front zone	induction
Right front Watts	1400
Right front number of cooking zones	1
Right front diameter mm	140

## ELECTRICAL SPECIFICATIONS

Connected load KW	4.6
Maximum current rating (amps)	20

Right rear number of cooking zones	1
------------------------------------	---

Right rear diameter mm	180
------------------------	-----

## SHIPPING

Shipping Volume (m3)	0.048
----------------------	-------

Shipping Weight (Kg)	11
----------------------	----

Pack Dimensions Height (mm)	118
-----------------------------	-----

Pack Dimension Width (mm)	680
---------------------------	-----

Pack Dimension Depth (mm)	600
---------------------------	-----

## ELECTRICAL SPECIFICATIONS

Type of connection	hardwired
--------------------	-----------

## STUFFING QUANTITIES

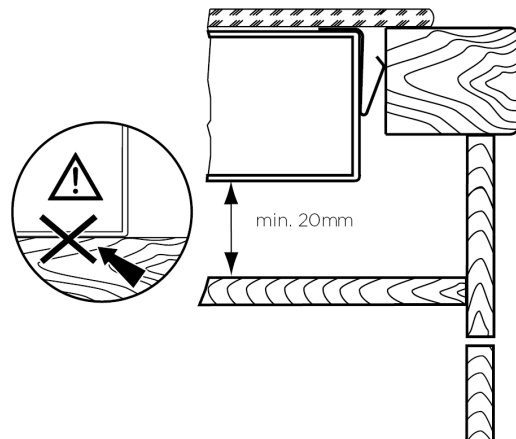
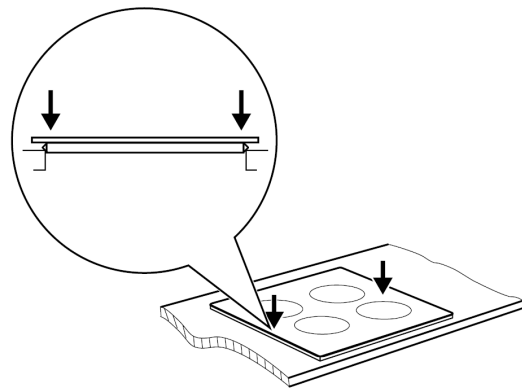
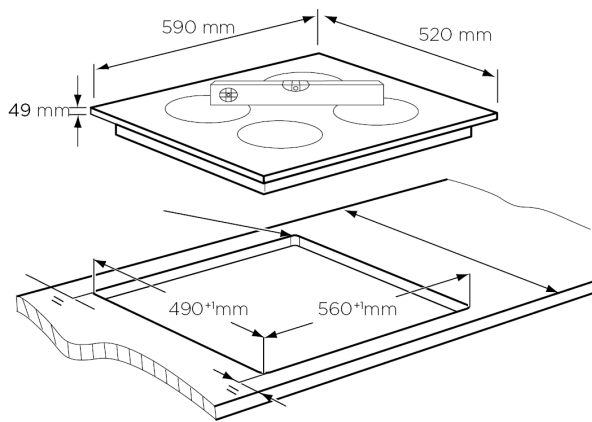
20ft	486
------	-----

40ft HC	1197
---------	------

# Dimensions

## 60cm PowerLite induction cooktops

WHI642BE, WHI632BE



**IMPORTANT**

These dimensions are a guide only. All measurements are in millimetres (mm).  
For complete installation instructions, refer to the manual provided with product.

## Terms and Conditions

### IMPORTANT

This is a guide of product dimensions only. For complete installation instructions, refer to the manual provided with product.

### PRODUCT INFORMATION

The descriptors and illustrations in this publication apply to the specific products and models described as at the date of issue. Under our policy of continuous product development, product specifications may change without notice. Prospective purchasers should therefore check with their retailer to ensure this publication correctly describes the products that are being offered for sale. All information supplied is to be used for general reference purposes only and is on the understanding that Electrolux Home Products Pty Ltd (Australia) and Electrolux (NZ) Ltd (New Zealand) will not be liable for any loss, liability or damage of whatever kind arising as a result of reliance on such information. Colours of products illustrated are as close as printing limitations allow. Electrolux will at all times comply with its obligations pursuant to law including Trade Practices (Australian Consumer Law) Act and Regulations.

### WARRANTY

This warranty only applies to Appliances purchased and used in Australia or New Zealand and used in normal domestic applications and is in addition to (and does not exclude, restrict, or modify in any way) any non-excludable statutory warranties in Australia or New Zealand. All warranties are subject to the conditions set out in the warranty card accompanying the product when purchased.

#### ELECTROLUX HOME PRODUCTS AUSTRALIA

telephone: 1300 363 640

fax: 1800 350 067

email: [customercare@electrolux.com.au](mailto:customercare@electrolux.com.au)

web: [www.electrolux.com.au](http://www.electrolux.com.au)

#### ELECTROLUX HOME PRODUCTS NEW ZEALAND

telephone: 09 573 2230

fax: 09 573 2221

email: [customercare@electrolux.co.nz](mailto:customercare@electrolux.co.nz)

web: [www.electrolux.co.nz](http://www.electrolux.co.nz)