

**60cm stainless steel electric freestanding oven with separate electric grill, fan forced electric oven, 120 minute timer with ringer and a 4 zone ceramic cooktop with dual zone.**



## Product Details

### FEATURES

---

Electric fan forced oven	Handy separate grilling compartment	Easy clean formed shelf supports	2 hour mechanical timer
80L/22L capacity oven/grill	Ceramic cooktop	One dual zone element	Hot surface indicator

---

### BENEFITS

---

**Fan forced for even cooking**  
When it comes to cooking, one of the biggest is even heat distribution over your dishes. By using fan forced cooking you are able to create an even cooking result.

**Handy separate grilling compartment**  
Cook for the whole family. Grill and bake at the same time while keeping different cooking flavours and smells apart.

**More versatility with variable zones**  
With Dual Zone functionality you are able to adjust your cooking surface to suit your pot or pan size with ease.

**Set for 2 hours and it will ring**  
The mechanical timer keeps track of your cooking time for 2 hours with a ringer to let you know you are ready to restart the timer or finish your dish.

**Clean your shelf supports with ease**  
When it comes to cleaning your oven we want it to be fuss free, given the design of our shelf supports you can clean the sides of your oven with ease as there are no racks to be removed.

**Built in Australia**  
Westinghouse, has been the heart of the home for generations and the kitchen appliance brand we have always known and trusted to build reliable products. This oven is built in a local factory in Adelaide.

## Specifications

### PRODUCT PROFILE

---

Domestic warranty details (yrs)	2
Oven fuel	electric
Materials/Colour	stainless steel
Controls of Oven	control knob
Cooling fan	No
Plinth colour (kickboard)	stainless steel
Swept up hob	No
Front/rear controls	front

### MAIN OVEN

---

Gross capacity litres	80
Useable capacity litres	74
Oven function	fan forced
Oven liner	pyrolux high temperature enamel

### DIMENSIONS

---

#### PRODUCT DIMENSION

---

Total height (mm)	970
Total width (mm)	596
Total depth (mm)	630

### SECOND OVEN OR GRILL

---

Shelf support	slides
---------------	--------

## MAIN OVEN

---

Timer functions	Ringer
-----------------	--------

---

Lights	1
--------	---

---

Layers of glass in door	2
-------------------------	---

---

Shelf support	easy clean formed shelf supports
---------------	----------------------------------

---

Number of shelves	2
-------------------	---

---

Number of shelf positions	5
---------------------------	---

---

Closed door grilling	No
----------------------	----

---

## ELECTRICAL CONNECTION

---

Connected load KW	10.45
-------------------	-------

---

Type of connection	hardwired
--------------------	-----------

---

## SHIPPING

---

Shipping Volume (m3)	0.473
----------------------	-------

---

Shipping Weight (Kg)	51
----------------------	----

---

Pack Dimensions Height (mm)	1025
-----------------------------	------

---

Pack Dimension Width (mm)	635
---------------------------	-----

---

Pack Dimension Depth (mm)	726
---------------------------	-----

---

## STUFFING QUANTITIES

---

40ft	96
------	----

---

40ft HC	120
---------	-----

---

## ELEMENTS/BURNERS

---

Cooking zones	4
---------------	---

---

Pot sensors	No
-------------	----

---

Boost function	No
----------------	----

---

## LEFT REAR ZONE

---

Left rear zone	ceramic
----------------	---------

---

Left rear watts	1200
-----------------	------

---

Left rear number of cooking zones	1
-----------------------------------	---

---

## COOKTOP (IF APPLICABLE)

### PRODUCT PROFILE

---

Cook top type	ceramic
---------------	---------

---

Materials/Colour	black ceramic glass
------------------	---------------------

---

Removable trim (for cleaning)	No
-------------------------------	----

---

Wok included designed to fit cooktop	No
--------------------------------------	----

---

Knob finish	painted silver
-------------	----------------

---

## LEFT FRONT ZONE

---

Left front Watts	1000
------------------	------

---

Left front number of cooking zones	1
------------------------------------	---

---

## RIGHT FRONT ZONE

---

Right front Watts	1200
-------------------	------

---

Right front number of cooking zones	1
-------------------------------------	---

---

## RIGHT REAR ZONE

---

Right rear watts	1800
------------------	------

---

Right rear number of cooking zones	1
------------------------------------	---

---

## CONTROLS

---

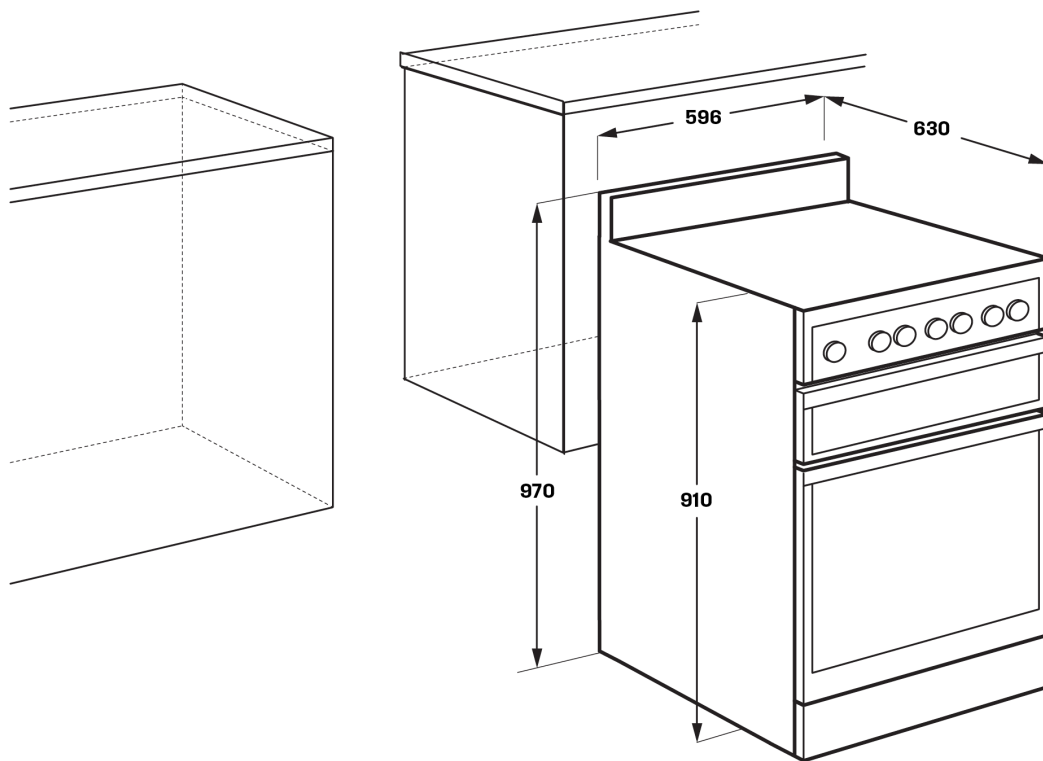
Position of controls	front
----------------------	-------

---

## Dimensions

### 54cm Front Control Freestanding Cooker, Separate Grill

WFE642WCB, WFE642SCB



**IMPORTANT**

These dimensions are a guide only. All measurements are in millimetres (mm). For complete installation instructions, refer to the manual provided with product.

# Terms and Conditions

## IMPORTANT

This is a guide of product dimensions only. For complete installation instructions, refer to the manual provided with product.

## PRODUCT INFORMATION

The descriptors and illustrations in this publication apply to the specific products and models described as at the date of issue. Under our policy of continuous product development, product specifications may change without notice. Prospective purchasers should therefore check with their retailer to ensure this publication correctly describes the products that are being offered for sale. All information supplied is to be used for general reference purposes only and is on the understanding that Electrolux Home Products Pty Ltd (Australia) and Electrolux (NZ) Ltd (New Zealand) will not be liable for any loss, liability or damage of whatever kind arising as a result of reliance on such information. Colours of products illustrated are as close as printing limitations allow. Electrolux will at all times comply with its obligations pursuant to law including Trade Practices (Australian Consumer Law) Act and Regulations.

## WARRANTY

This warranty only applies to Appliances purchased and used in Australia or New Zealand and used in normal domestic applications and is in addition to (and does not exclude, restrict, or modify in any way) any non-excludable statutory warranties in Australia or New Zealand. All warranties are subject to the conditions set out in the warranty card accompanying the product when purchased.

### ELECTROLUX HOME PRODUCTS AUSTRALIA

telephone: 1300 363 640

fax: 1800 350 067

email: [customercare@electrolux.com.au](mailto:customercare@electrolux.com.au)

web: [www.electrolux.com.au](http://www.electrolux.com.au)

### ELECTROLUX HOME PRODUCTS NEW ZEALAND

telephone: 09 573 2230

fax: 09 573 2221

email: [customercare@electrolux.co.nz](mailto:customercare@electrolux.co.nz)

web: [www.electrolux.co.nz](http://www.electrolux.co.nz)