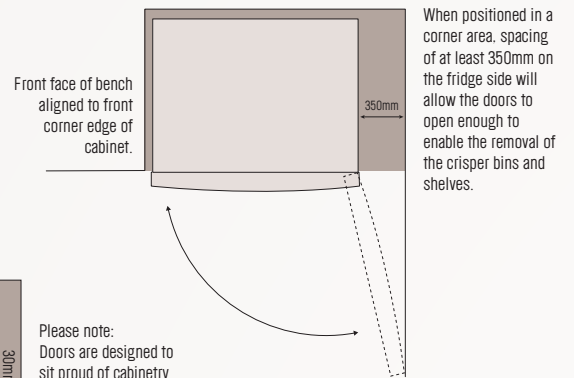
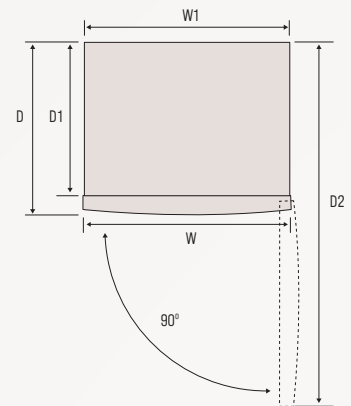
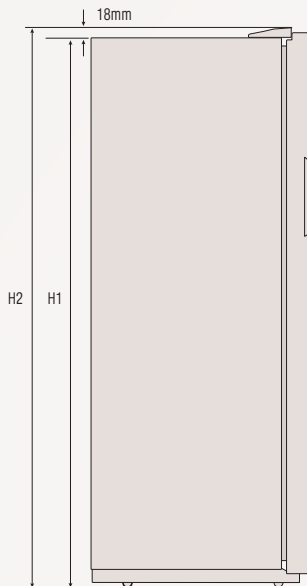
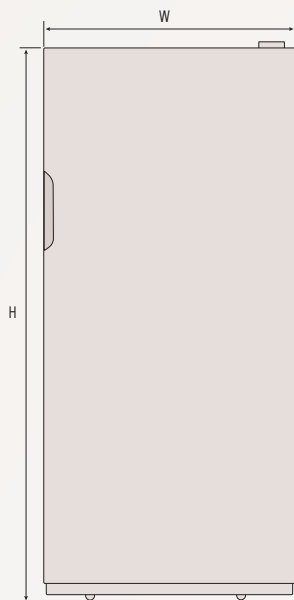
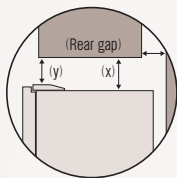


## verticals and pigeon pairs

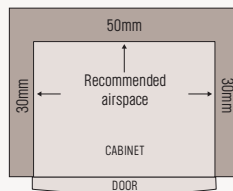


When positioned in a corner area, spacing of at least 350mm on the fridge side will allow the doors to open enough to enable the removal of the crisper bins and shelves.

### Recommended airspaces:



If you do not have a cupboard with a rear gap, the recommended clearance on top increases from 50mm to 90mm (x) and 32mm to 72mm (y).



Please note: Doors are designed to sit proud of cabinetry (not flush).

	max door height (H)	cabinet height (H1)	total height (H2)	door width (W)	cabinet width (W1)	total depth (D)	cabinet depth (D1)	depth door open (D2)
WRM4300SA	1714	1702	1720	70	690	658	550	1299
RP432V	1714	1702	1720	703	690	658	550	1299
RP372V	1714	1702	1720	608	595	658	550	1204
RP241T	1441	1441	1441	544	540	570	485	1079
WFM3600SA	1714	1702	1720	703	690	658	550	1299
FJ362V	1714	1702	1720	703	690	658	550	1299
FJ302V	1714	1702	1720	608	595	658	550	1204
FJ181V	1441	1441	1441	544	540	570	485	1079

All measurements in millimetres