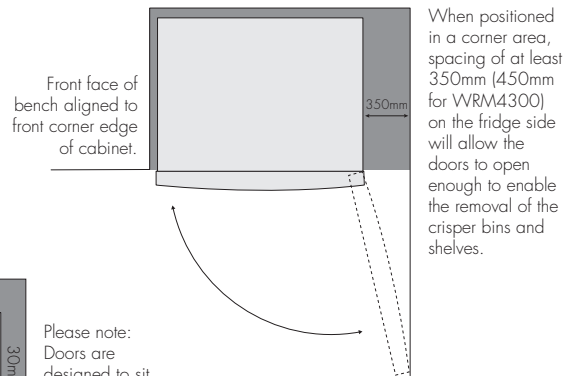
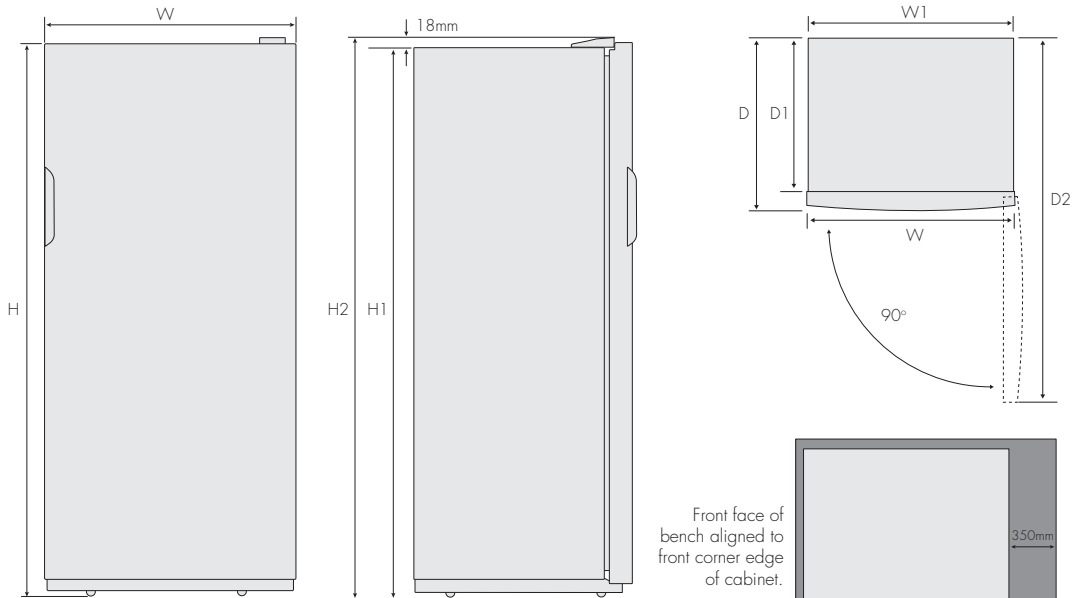


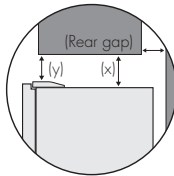
# DIMENSION AND INSTALLATION GUIDE

pigeon pairs (single door fridges & freezers)

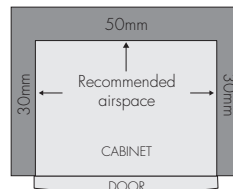
**MODELS:** WRM4300SB, WRM4300WB, WRM3700PB, WRM3700WB, WFM3600SB, WFM3600WB, WFM3000PB, WFM3000WB



**Recommended airspaces:**



If you do not have a cupboard with a rear gap, the recommended clearance on top increases from 50mm to 90mm (x) and 32mm to 72mm (y).



Please note: Doors are designed to sit proud of cabinetry (not flush).

	max door height (H)	cabinet height (H1)	total height (H2)	door width (W)	cabinet width (W1)	total depth (D)	cabinet depth (D1)	depth door open (D2)
WRM4300SB, WRM4300WB	1714	1702	1720	703	690	647	550	1299
WRM3700PB, WRM3700WB	1714	1702	1720	608	595	647	550	1204
WFM3600SB, WFM3600WB	1714	1702	1720	703	690	647	550	1299
WFM3000PB, WFM3000WB	1714	1702	1720	608	595	647	550	1204

© 2008 Electrolux Home Products Pty Ltd.  
WIGPFF Current as at May 2008.